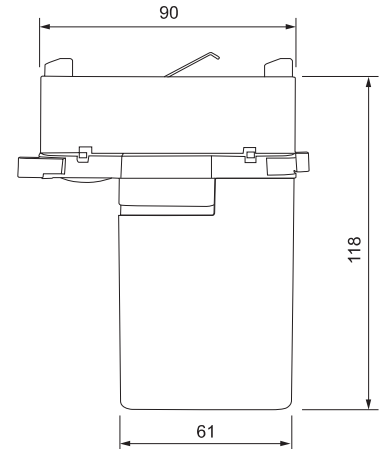
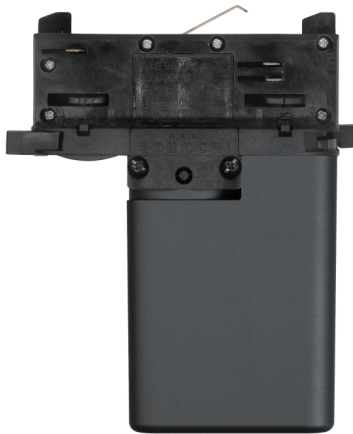


HT01B-PS (DALI bus power supply inside 80mA)

HT01B-CA (Without DALI bus power supply)

CASAMBI App Bluetooth Control Separately 16 DALI Lamps



Description

- HT01B is a master DALI device, using Bluetooth technology, suitable for monomaster applications, developed to control DALI lamps via mobile devices, using the Casambi app.
- The adapter is AAG STUCCHI, Suitable for installation on AAG STUCCHI, EUTRAC, GLOBAL, POWERGEAR DALI 6 wires tracks. 16 lamps (control gear) can be programmed separately.

Features

- Power supply 230V ac 50/60 Hz, direct from track on the mains HT01B generates the DALI line and the related commands DALI compatible, to program new lamps found on the bus allows for the control of up to 16 DALI lamps, control separately dimmable brightness or tunable white.

Technical specifications

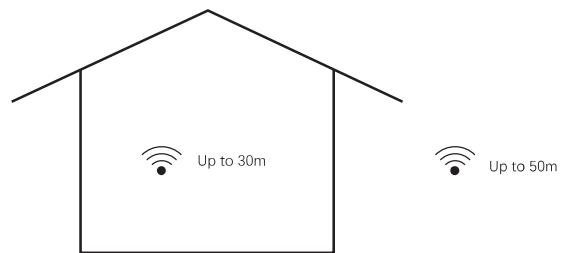
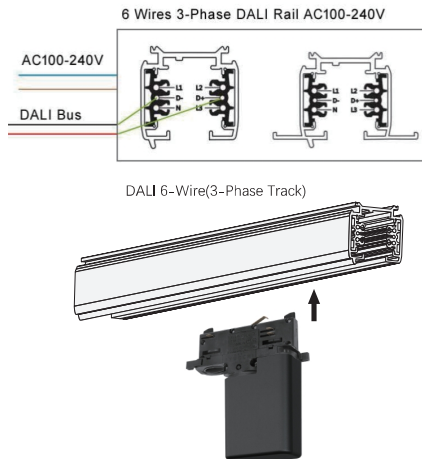
Model NO.	Input Voltage	Output DALI Bus Current	Environment working temperature	Track Adapter
HT01B-PS	220-240V AC	Max 80mA	-20°C~+40°C	AAG STUCCHI DALI 6 wires
HT01B-CA	220-240V AC	Without DALI Power Supply	-20°C~+40°C	AAG STUCCHI DALI 6 wires

Installation

- HT01B-PS model with DALI bus power supply inside 80mA, no need external DALI bus power supply,
- can work with 16pcs DALI lamps separately on CASAMBI App. DALI dimmer is not available working together.
- HT01B-CA model without DALI bus power supply, need to install an external DALI bus power supply,
- can work with 16pcs DALI lamps separately on CASAMBI App. DALI dimmer is not available working together.

Operation

- iPhone iOS 10 and later are supported
- iPad iOS 10 and later are supported
- Android 4.4 version (KitKat) and later are supported
- Casambi uses mesh network technology so each HT01B acts also as a repeater. Longer ranges can be achieved by using multiple Casambi units.



Range is highly dependant on the surrounding and obstacles, such as walls and building materials.

