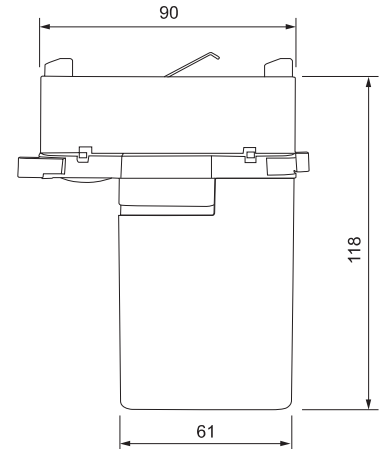
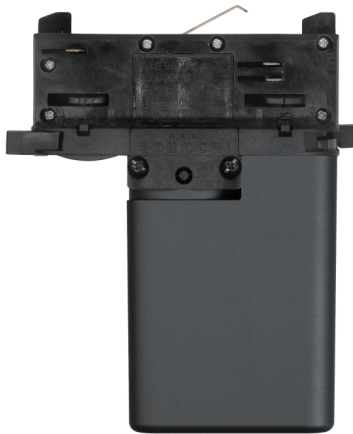


HT01A-PS (DALI bus power supply inside 80mA)

HT01A-CA (Without DALI bus power supply)

CASAMBI App Bluetooth Control DALI System (1 or 8 groups)



Description

- HT01A is a master DALI device, using Bluetooth technology, suitable for monomaster applications, developed to control DALI lamps via mobile devices, using the Casambi app.
- The adapter is AAG STUCCHI, Suitable for installation on AAG STUCCHI, EUTRAC, GLOBAL, POWERGEAR DALI 6 wires tracks. 64 lamps (control gear) can be programmed, and assigned to up to 8 groups.

Features

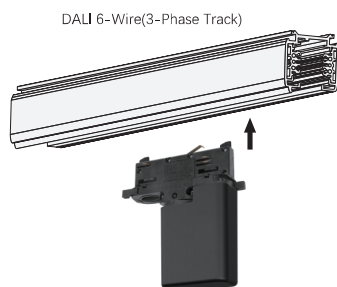
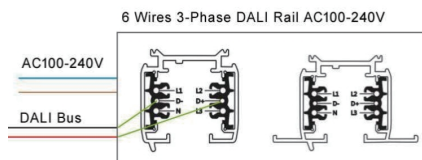
- Power supply 230V ac 50/60 Hz, direct from track on the mains HT01A generates the DALI line and the related commands DALI compatible, to program new lamps found on the bus allows for the control of up to 64 DALI lamps (control gear) control together, addressed to up to 8 groups dimming brightness, or all the lamps at the same time dimmable brightness or tunable white.

Technical specifications

Model NO.	Input Voltage	Output DALI Bus Current	Environment working temperature	Track Adapter
HT01A-PS	220-240V AC	Max 80mA	-20°C~+40°C	AAG STUCCHI DALI 6 wires
HT01A-CA	220-240V AC	Without DALI Power Supply	-20°C~+40°C	AAG STUCCHI DALI 6 wires

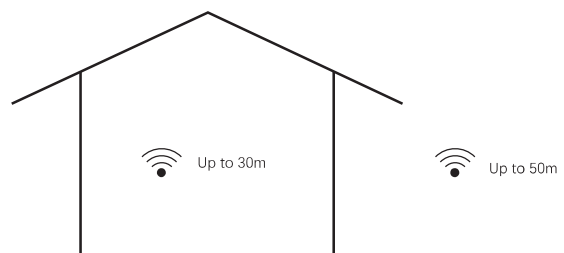
Installation

- HT01A-PS model with DALI bus power supply inside 80mA, no need external DALI bus power supply,
- the 80mA DALI bus current can work with 40pcs DALI lights as expected.
- HT01A-CA model without DALI bus power supply, need to install a external DALI bus power supply,
- max current is 250mA, 64pcs DALI lights can be worked.



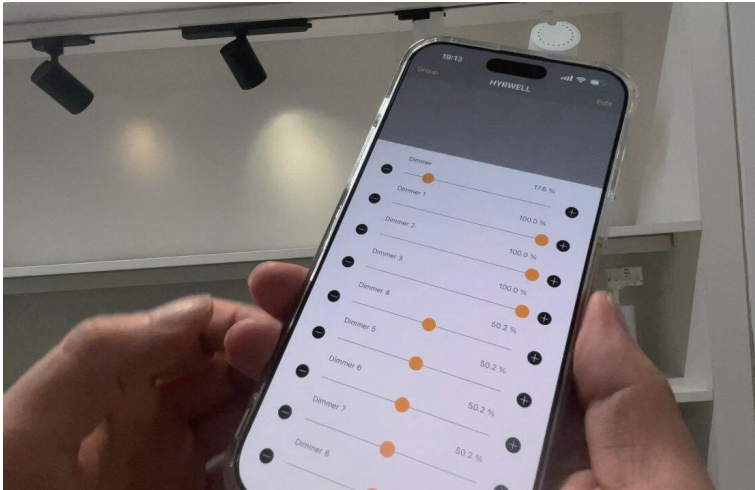
Operation

- iPhone iOS 10 and later are supported
- iPad iOS 10 and later are supported
- Android 4.4 version (KitKat) and later are supported
- Casambi uses mesh network technology so each HT01A acts also as a repeater. Longer ranges can be achieved by using multiple Casambi units.



Range is highly dependant on the surrounding and obstacles, such as walls and building materials.

CASAMBI Control (standard profile)



19:02
19:02
19:02
19:03

Group HYRWELL
Edit < Back CBU-DCS 8CH G0-G7 [Evo]
< Back CBU-DCS 8CH G0-G7 [Evo]
< 返回 DALI details

INFORMATION

Name CBU-DCS 8CH G0-G...

Icon Tap to set >

Vendor Casambi

Model CBU-DCS 8CH G0-G7 [Evo] >

Details >

STATE

Change luminaire state >

The luminaire state can be also changed from the grid by tapping and holding the icon. It also works for groups, all luminaires and nearby luminaires.

MODES

Default Mode 1 Mode 2 Mode 3

Tap to activate a mode and hold to edit settings

Dedicated daylight sensor >

Selects the dedicated daylight sensor for this luminaire. Readings of this sensor will be used if the 'Use dedicated sensors' option is enabled under daylight scene settings.

Daylight gain 100.0 %

Specifies the amount of daylight received in the area covered by this luminaire. The amount is adjustable by the percentage of

Unit Address ea91ca21da8f

Unit name CBU-DCS 8CH G0-G7 [Evo]

Fixture ID 8843

Fixture mode DALI/VirtualDim,Elements

Model CBU-DCS 8CH G0-G7 [Evo]

Vendor Casambi

Network ID 02f989cb6aa9

Unit ID 55

Firmware Evolution/45.2

RSSI -63 dBm

Unit condition code 0x80

Supports BT Long Range No

DALI Configuration >

Scan DALI devices >

DALI A0 [G0]: DT6:8:49:50:51:52 [D4i] 04 >

DALI A1 [G1]: DT6 04 >

DALI A2 [G2]: [D4i] 04 >

DALI address A0

DALI groups G0 ✓

DALI status 04, ON ✓

GTIN 6971542123370

Serial 0

Device manufacturer -

Device model -

Device type 6:8:49:50:51:52

FW Version 26.0

HW Version 2.0

Manufacture Time -

Last update (energy) 2025-03-10 19:03:35 ✓

Active Energy 2.85 kWh ✓

Active Power 1.3 W ✓

Apparent Energy 3.31 kWh ✓

Apparent Power 3.8 W ✓

Active Energy (Load side) 2.34 kWh ✓

Active Power (Load side) 0.6 W ✓

System Starts 212 ✓

Operating Time 443:59 hours ✓

Lamp On Time 286:32 hours ✓