

KUN TIL EVOLUTION



- **Smallest CASAMBI motion detector.**
- **Smallest power consumption**
- **Simply operates with Casambi.**
- **Battery operated, autonomous applicable to all types of installation.**

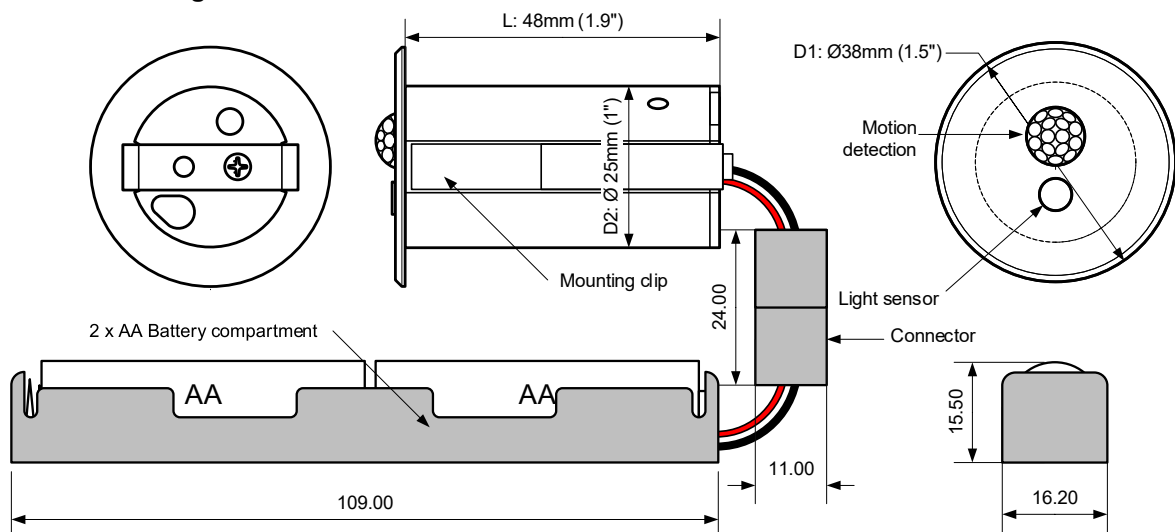
The LIGA.AIR.SP.BAT is a battery operated CASAMBI motion detector with a PIR and a light sensor for motion detection. With these sensors it is possible to automatically switch a light source, a group, entire light scenarios, animations or complete Casambi networks by measured movement and/or freely selectable Lux values.

A Daylight Harvesting is completely implemented at different light levels during the day and synchronous control of the lights. In conjunction with Casambi, this motion sensor helps to make significant energy savings by only turning on the light when needed. Follow-Me, Swarm-Control and active / standby solutions can also be implemented for applications in offices, industry, retail, hospitality and home.

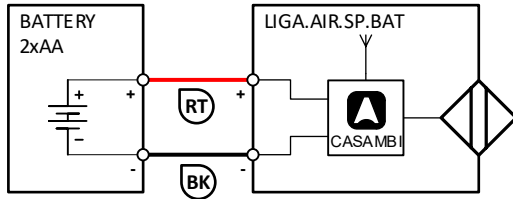
As a Casambi Ready product, it is integrated directly into the complete Casambi system. All configurations and runtimes are practically and quickly set with the Casambi App.

The battery operation allows autonomous use at all assembly sites. The battery compartment is connected to the motion detector with a connector, so battery compartments with larger capacity can be easily connect.

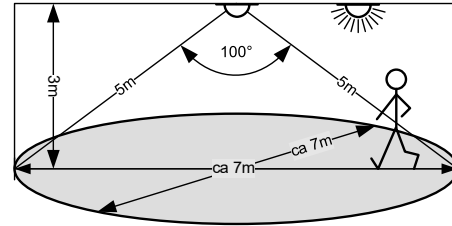
Dimensional drawing:



Schematics:



Motion detection range:



Technical specifications:

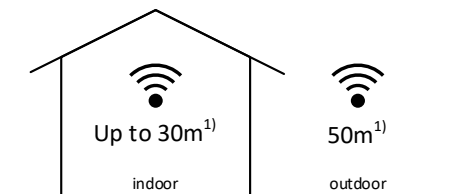
Dimension (T x D1 x D2)	48mm (1.9") x Ø 25mm (1") x Ø 38mm (1.5")
Weight	20g / 70g (without / with batteries)
Enclosure colors	White (RAL9010), black (RAL9005) and gray (RAL7021)
Mounting	Hole with D1: 25mm diameter, at any mounting location.
Environmental conditions	Operation: Temperature -20 ... 50°C, humidity < 85%rH Stock: Temperature -25 ... 65°C, humidity < 95%rH
Protection type / Protection class	IP44, EN-60529 / Appliance Class II
Connections	Flexible 2 x 0.34mm ² (AWG22): Black (BK): -, negative pole, red (RT): +, positive pole
Power supply	3VDC, 2 x AA batteries. Higher capacity batteries can be used with the appropriate battery compartment.
Motion detector	Range 5m, angle max 100° (horizontal), 64 detection zones
Setup with Casambi App	Switch-on times, twilight settings of light sensor
Anwendungen	Safety technology, motion detection, automatic light control, energy saving etc.
CASAMBI Modul Standards	Bluetooth 4.0 Wireless Control
Additional standards	Radio Equipment Directive 2014/53/EU
Scope of delivery	1 CASAMBI Motion detector, Battery Compartment 2xAA, Magnet for Device Pairing / Unpairing

Device Pairing / Unpairing	Briefly hold the magnet close to the front of the device for Pairing once / for Unpairing twice . Indicator lights for 15s after using the magnet. For further procedure see Casambi APP.
Update requirements	All devices in the Casambi network need to be updated to the latest Evolution Version .

Compatible devices:



Range:



iPhone 4S or later
iPad 3 or later
iPod Touch 5th gen or later.
Android 4.4 KitKat or later devices
produced after 2013 with full BT 4.0 support.

Casambi uses mesh network technology so each CBU-ASD acts also as a repeater.

Longer ranges can be achieved by using multiple Casambi units.

Range is highly dependent on the surrounding and obstacles, such as walls and building materials.

